

300 Series

63mm Dial Size PRESSURE GAUGES with STAINLESS STEEL CASES

“Lead Free” version for Potable Water available

These HEAVY DUTY pressure gauges are suited to many arduous applications throughout a broad range of industries. The glycerine-filled stainless steel case makes the gauges entirely weather-proof for outdoors as well as indoor use. The glycerine fill affords protection against vibration and extends the gauge's life.

Dial Size

63mm

Connection

1/4"BSPT

Mounting

Direct Bottom

Model 308

Direct Rear

Model 315

Panel via front flange

Model 311

Panel via clamp

Model 312

Case & Bezel material

AISI 304 Stainless Steel

Wetted Parts *

Brass Connection & Phosphor Bronze

Window

Plexiglass

Dial

Aluminium, white, dual scale black (kPa)/red (psi)

Movement

Brass

Pointer

Aluminium, with black finish

Accuracy

+/-3% F.S. Complies with AS1349-1986

Restrictor

Standard



MODEL 308W



MODEL 311



MODEL 312



MODEL 315

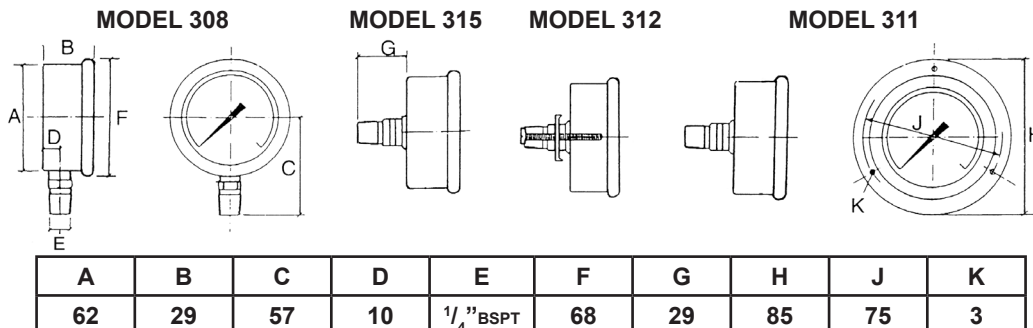
* “Lead Free” version for potable water with watermarked dial
Add “W” to model number eg 308W

STANDARD kPa SCALE RANGES and ORDERING CODES

Range kPa (psi)	Order Code	Range kPa (psi)	Order Code	Range kPa (psi)	Order Code
-100/+150 (30"Hg/0/22psi)	43	0/250 (0-36)	72	0/4000 (0-580)	79
-100/+300 (30"Hg/0/42psi)	44	0/400 (0-58)	73	0/6000 (0-860)	80
-100/+500 (30"Hg/0/70psi)	45	0/600 (0-86)	74	0/10,000 (0-1400)	81
-100/+900 (30"Hg/0/130psi)	46	0/800 (0-114)	98	0/16,000 (0-2300)	82
-100/0 (30-0"Hg)	16	0/1000 (0-140)	75	0/25,000 (0-3500)	84
0/100 (0-14)	69	0/1600 (0-230)	76	0/40,000 (0-5800)	86
0/160 (0-23)	70	0/2500 (0-350)	78	0/60,000 (0-8600)	87

When ordering, simply quote Model No and the range code. e.g. for Model 308, 0-1000kPa specify 308-75

DIMENSIONS mm



WARNING:

*Do not use glycerine filled gauges in any service which may include strong oxidising agents including (but not limited to) Chlorine, Nitric Acid, Hydrogen Peroxide. Such combinations can result in an explosion.

Note: Not all pressure gauges are suitable for every application. Special gauges are required for any gas or air over 2500 kPa, and for Oxygen or Acetylene at any pressure. For acids, slurries and other substances, specific materials or diaphragm seals may be needed. Please specify the application to ensure the correct gauge is offered.

Sales of ALL products are subject to our General Conditions of Quotation & Supply.
Technical specifications are subject to change without prior notice.

AMBIT
INSTRUMENTS PTY LTD
ABN 50 005 613 641

Office & Factory | 42 Titan Drive, Carrum Downs, Victoria, 3201, Australia
Ph: 03 9776 8888 | E: contact@ambitinst.com.au | W: ambitinst.com.au

