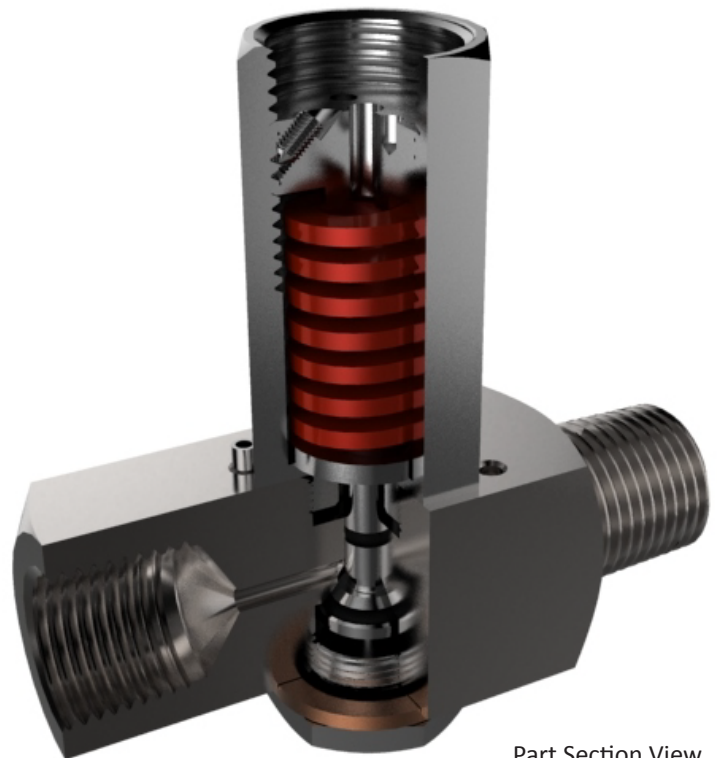


### Features

- Over range protector designed to protect gauges instruments etc, from surges in pressure.
- Available in shut-off ranges from 0.4 bar to 400 bar.
- Maximum inlet pressure 600 bar.
- Bonnet locking pin - safely locks bonnet to body.
- Maximum temperature 80°C, for ranges 0.4 - 2.5 bar and 110°C, for ranges 2.5 - 400 bar.
- Can be supplied to NACE MR-01-75-Latest edition.
- Materials:- 316 St.St., Monel, Hastelloy etc.
- Standard seals are Viton, alternatives are also available.



Part Section View

### How To Order

Part No = ILORP-*Inlet Code* M or F-*Outlet Code* M or F-*Material Code* -*Pressure Range Code*

Example = ILORP-07M-07F-AI-M3

ILORP-½" NPT Male-½" NPT Female-316 St.St.-20 to 70 bar

#### Inlet & Outlet Codes

<b>03</b> = ¼" NPT	<b>04</b> = ¼" BSPP	<b>13</b> = ¼" BSPT
<b>05</b> = ⅜" NPT	<b>06</b> = ⅜" BSPP	<b>14</b> = ⅜" BSPT
<b>07</b> = ½" NPT	<b>08</b> = ½" BSPP	<b>15</b> = ½" BSPT
<b>09</b> = ¾" NPT	<b>10</b> = ¾" BSPP	<b>16</b> = ¾" BSPT
<b>11</b> = 1" NPT	<b>12</b> = 1" BSPP	<b>17</b> = 1" BSPT

#### Material Codes

<b>AI</b> = 316 St.St.	<b>TI</b> = Titanium
<b>MO</b> = Monel	<b>DU</b> = Duplex St.St. UNS S31803
<b>HA</b> = Hastelloy	<b>SD</b> = Super Duplex St.St. UNS S32760
<b>IN</b> = Incolloy 825	

#### Pressure Range Codes

<b>Note:</b> Other High & Low pressure ranges available on request	<b>M1</b> = 2.5 TO 6 bar
	<b>M2</b> = 6 to 20 bar
	<b>M3</b> = 20 to 70 bar
	<b>M4</b> = 70 to 200 bar
	<b>M5</b> = 200 to 400 bar

## Dimensions

