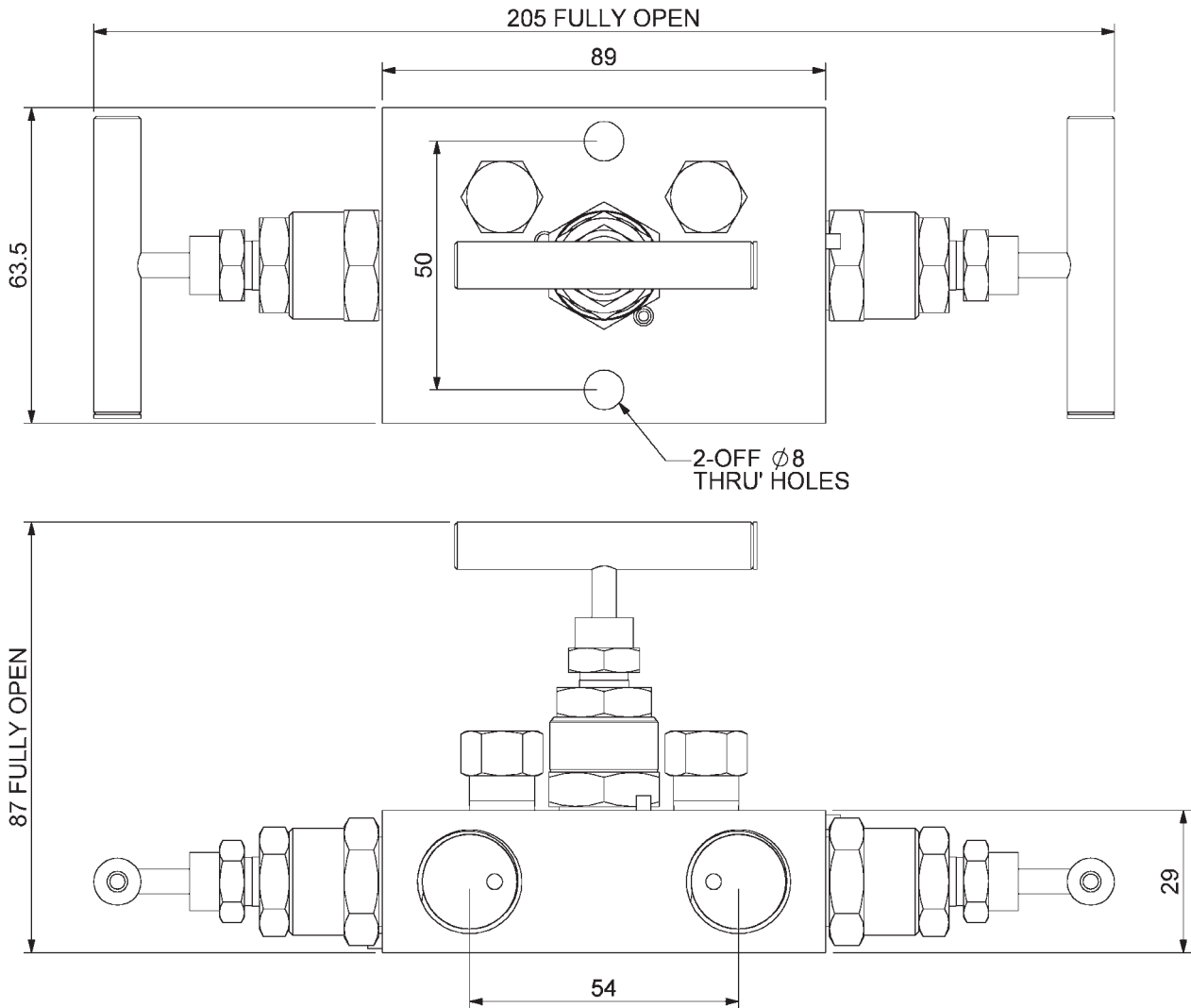
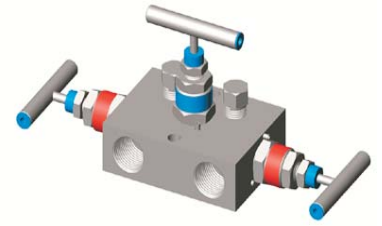
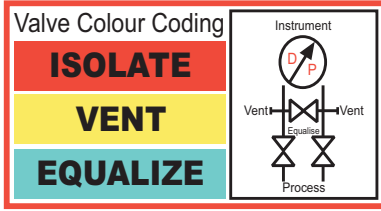


**MODEL-R3**  
**Remote Mount Pipe to Pipe with Vent Plugs**  
**3-Valve Manifold**  
**Rated 400 BAR / 6000 PSI**



**STEWART-BUCHANAN GAUGES LTD**  
 Sales Office & Manufacturing Facility.  
 Burnside Industrial Estate, Kilsyth, Glasgow, G65 9JX, SCOTLAND  
 Tel:- +44 (0)1236 821533  
 Fax:- +44 (0)1236 824090  
 E-Mail:- sales@stewarts-group.com  
 Web Site:- www.stewarts-group.com