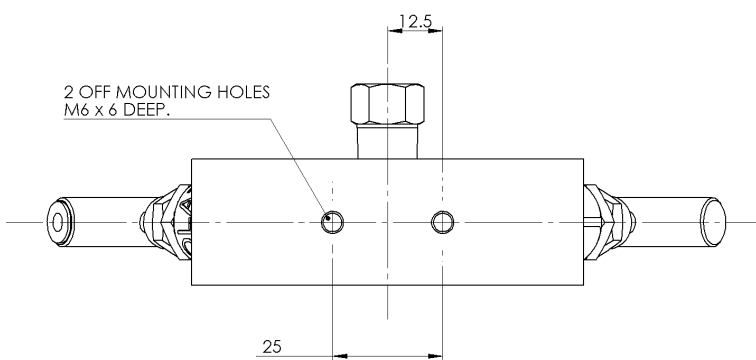
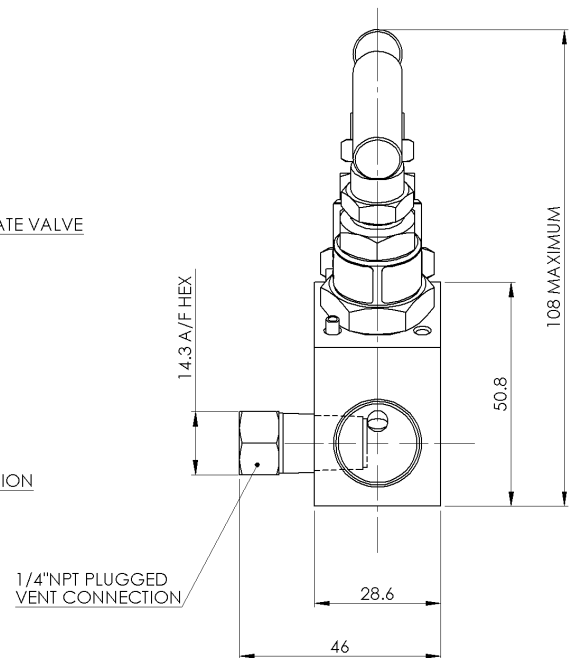
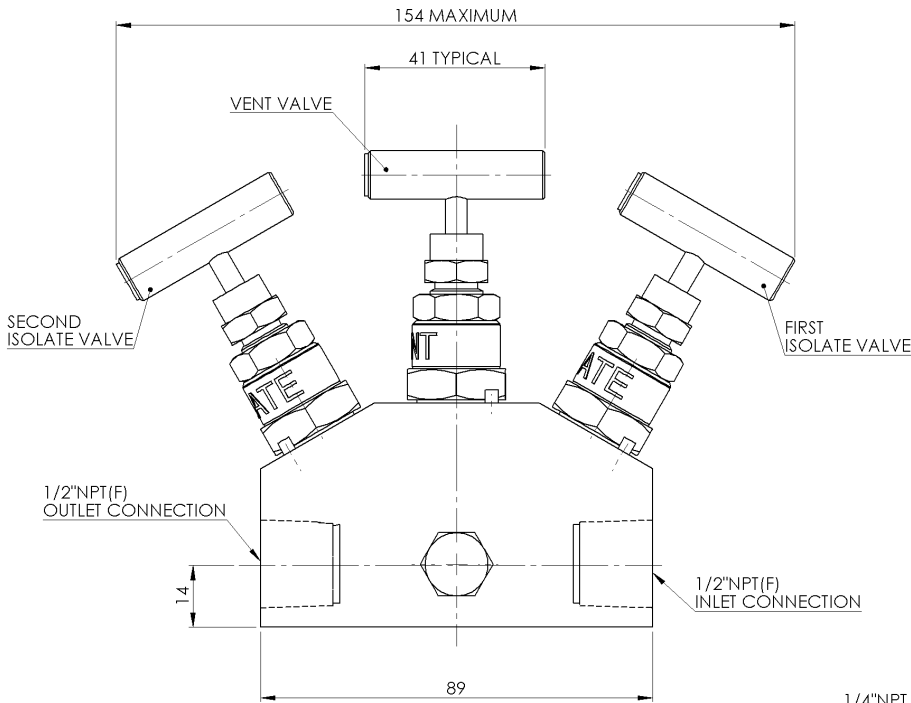


MODEL-K3
Angled Bonnet Double Block & Bleed Manifold
Female / Female
Rated 413 BAR / 6000 PSI



Valve Colour Coding	Instrument
ISOLATE	
VENT	
EQUALIZE	

Mass= 1.2 kg



STEWART-BUCHANAN GAUGES LTD
 Sales Office & Manufacturing Facility.
 Burnside Industrial Estate, Kilsyth, Glasgow, G65 9JX, SCOTLAND
 Tel:- +44 (0)1236 821533
 Fax:- +44 (0)1236 824090
 E-Mail:- sales@stewarts-group.com
 Web Site:- www.stewarts-group.com

Registered in Scotland No.21724 Registered Office as above. Directors: F Phair, C Phair, J O'Neill, L Kelman.