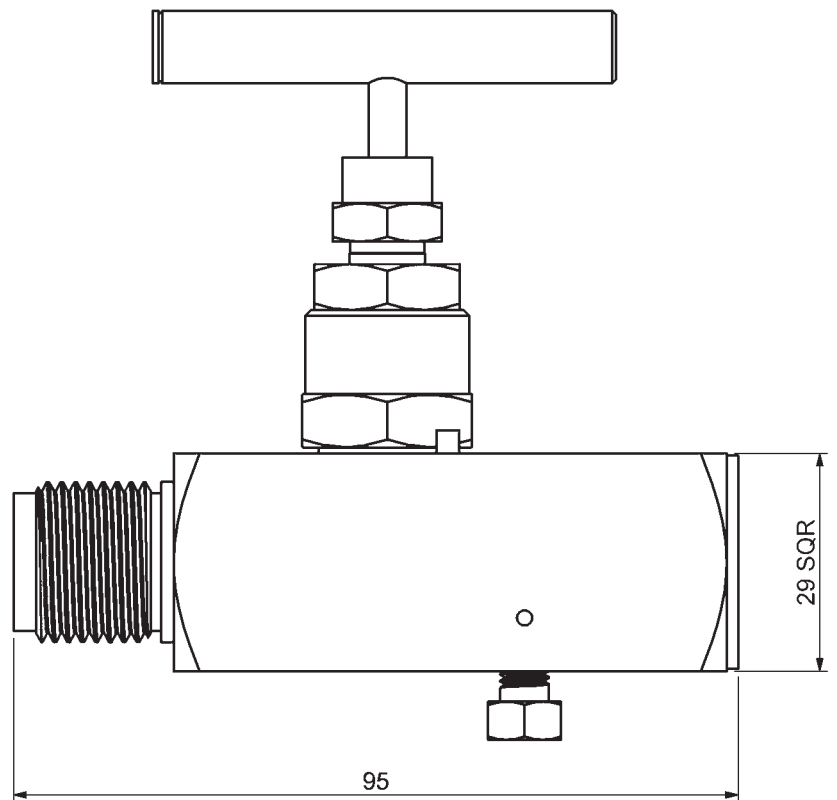
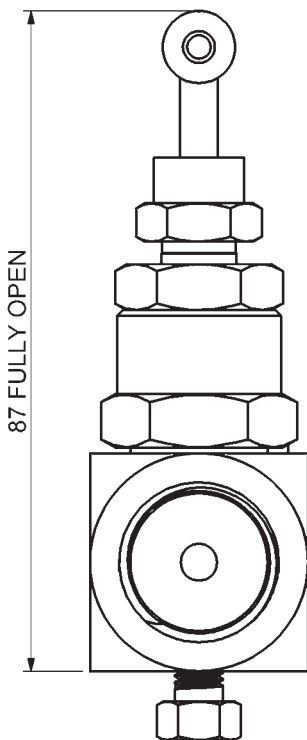
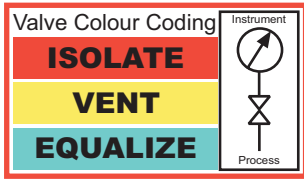


**MODEL-F1**  
**In Line Needle Valve with Bleed Plug**  
**Rated 400 BAR / 6000 PSI**



**STEWART-BUCHANAN GAUGES LTD**

Sales Office & Manufacturing Facility.  
Burnside Industrial Estate, Kilsyth, Glasgow, G65 9JX, SCOTLAND  
Tel:- +44 (0)1236 821533  
Fax:- +44 (0)1236 824090  
E-Mail:- sales@stewarts-group.com  
Web Site:- www.stewarts-group.com