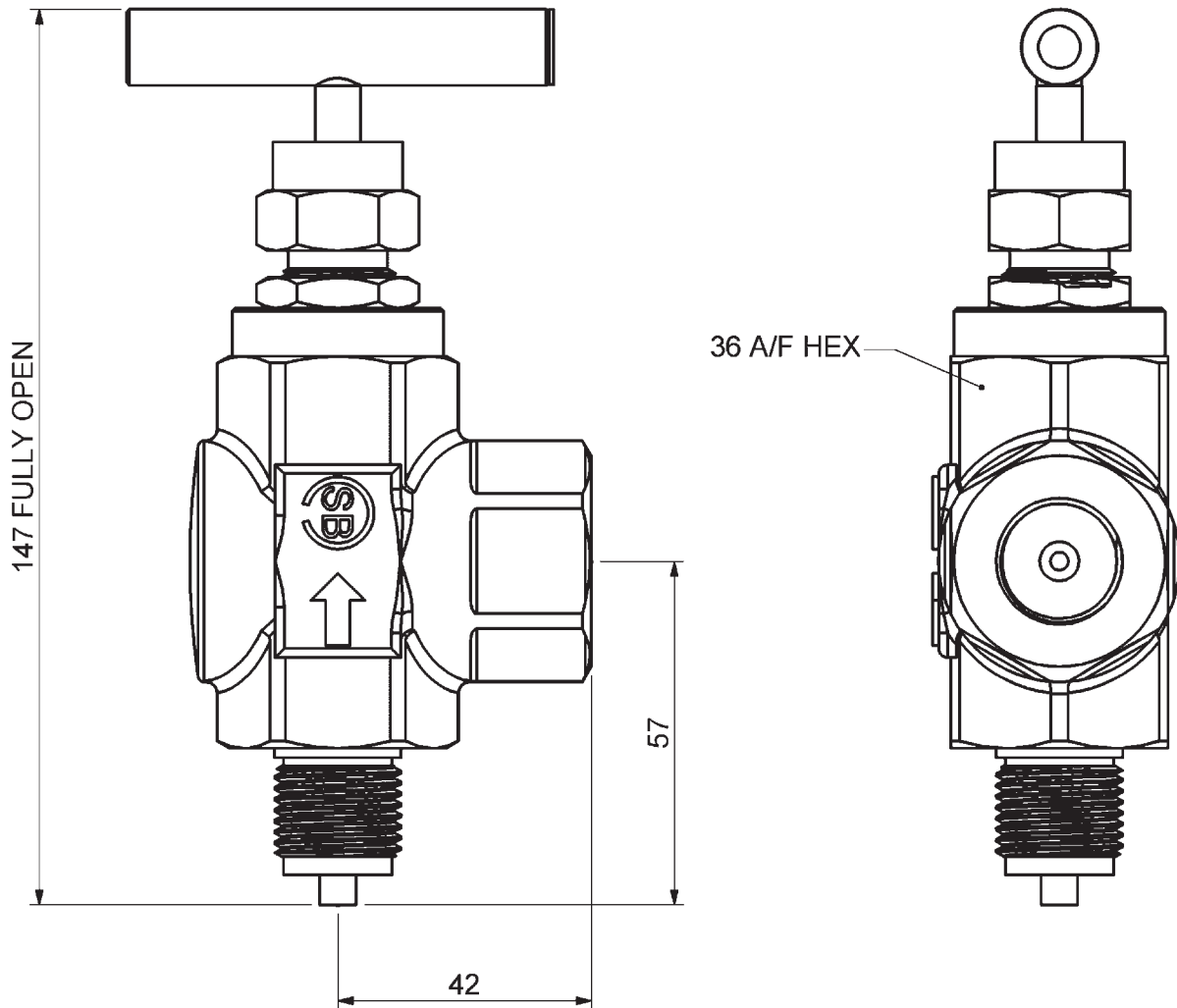


MODEL-D1
Right Angled Forged Needle Valve
Rated 1000 BAR / 15000 PSI



Valve Colour Coding	
ISOLATE	 Instrument
VENT	
EQUALIZE	
	 Process



STEWART-BUCHANAN GAUGES LTD

Sales Office & Manufacturing Facility,
Burnside Industrial Estate, Kilsyth, Glasgow, G65 9JX, SCOTLAND
Tel:- +44 (0)1236 821533
Fax:- +44 (0)1236 824090
E-Mail:- sales@stewarts-group.com
Web Site:- www.stewarts-group.com